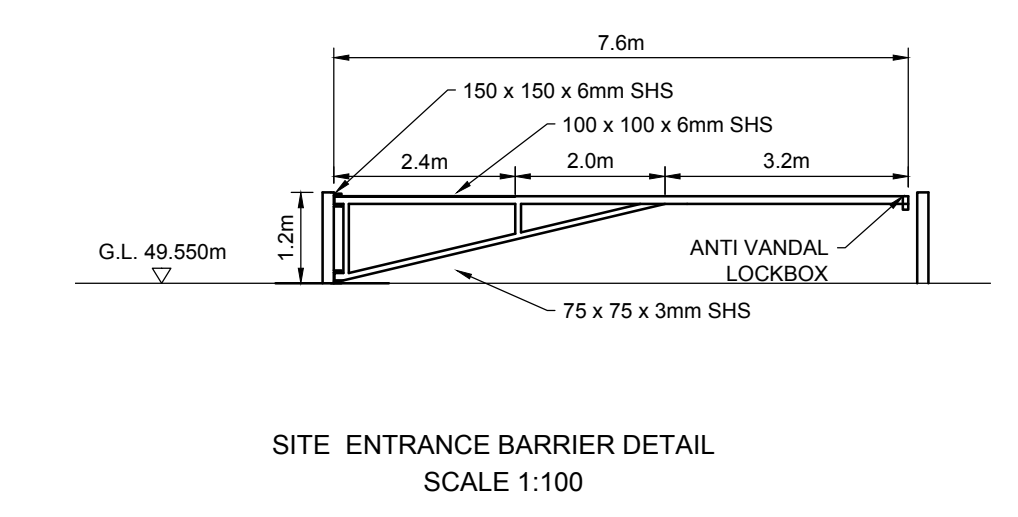
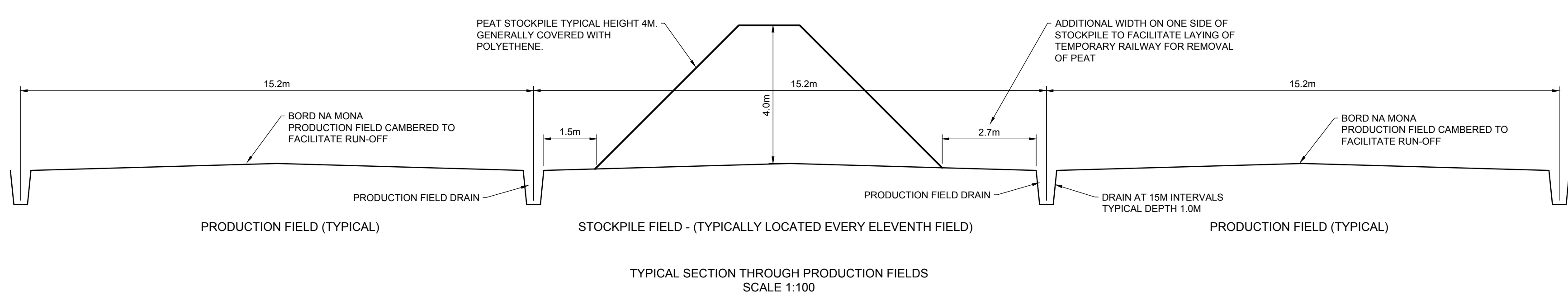
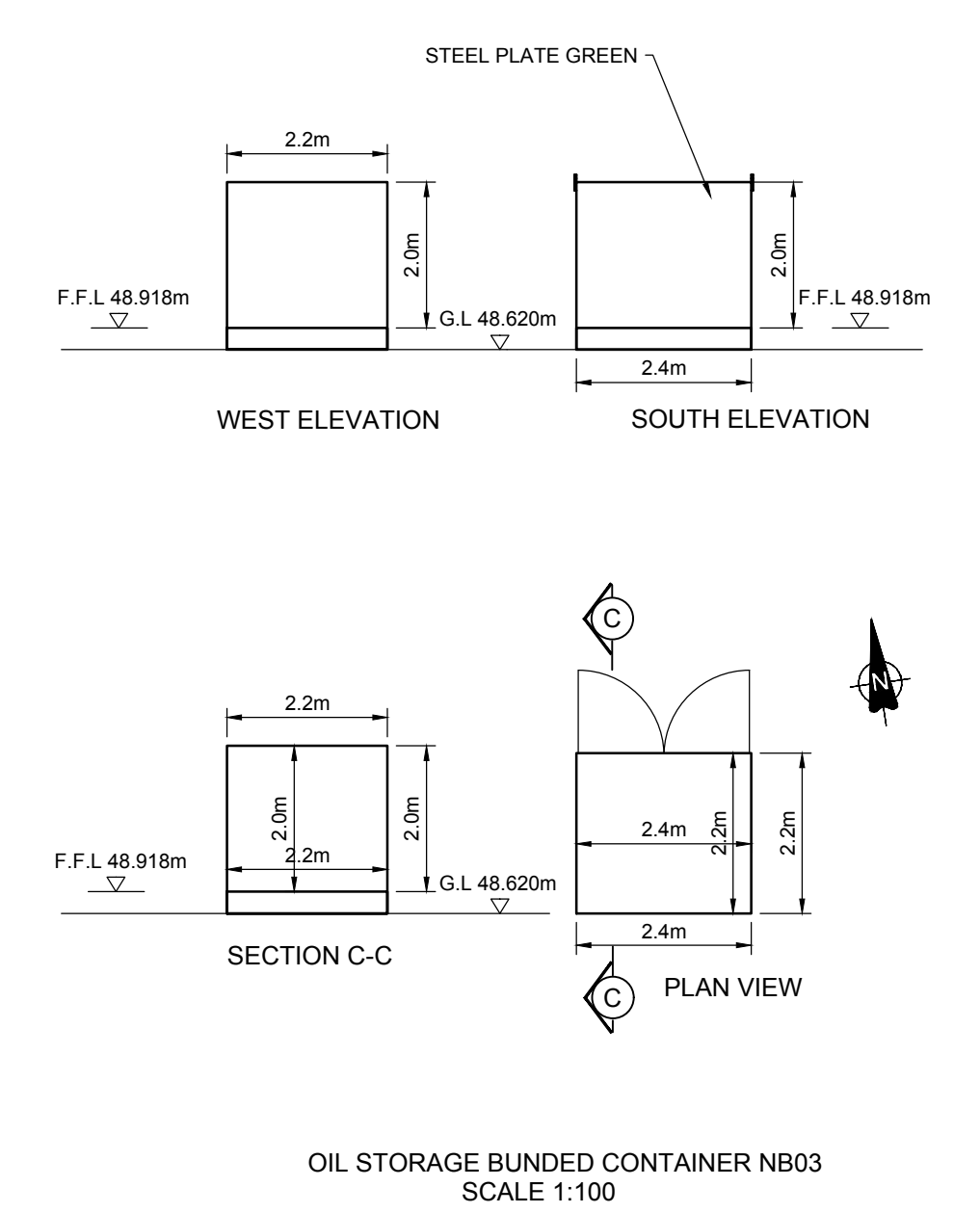
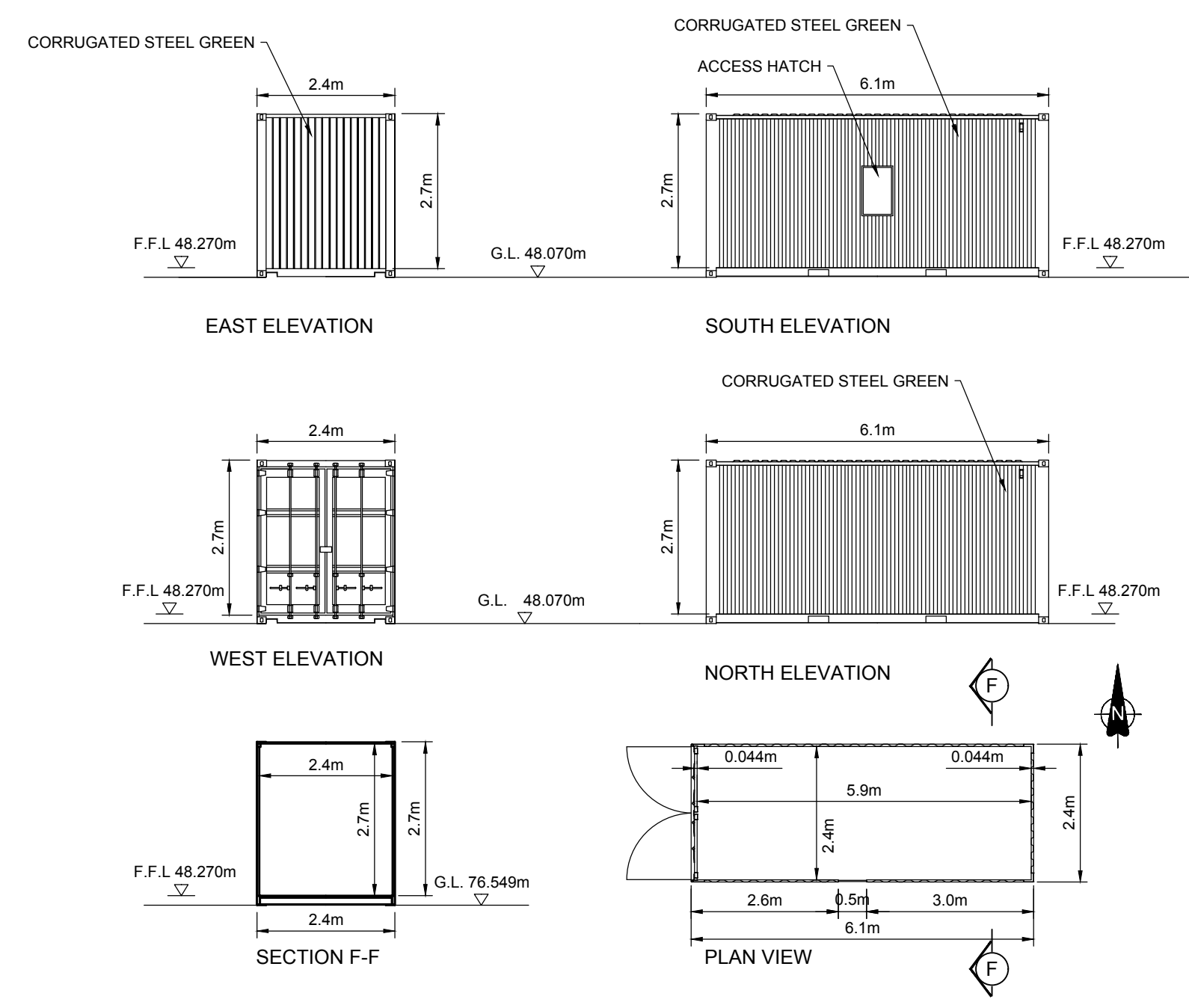
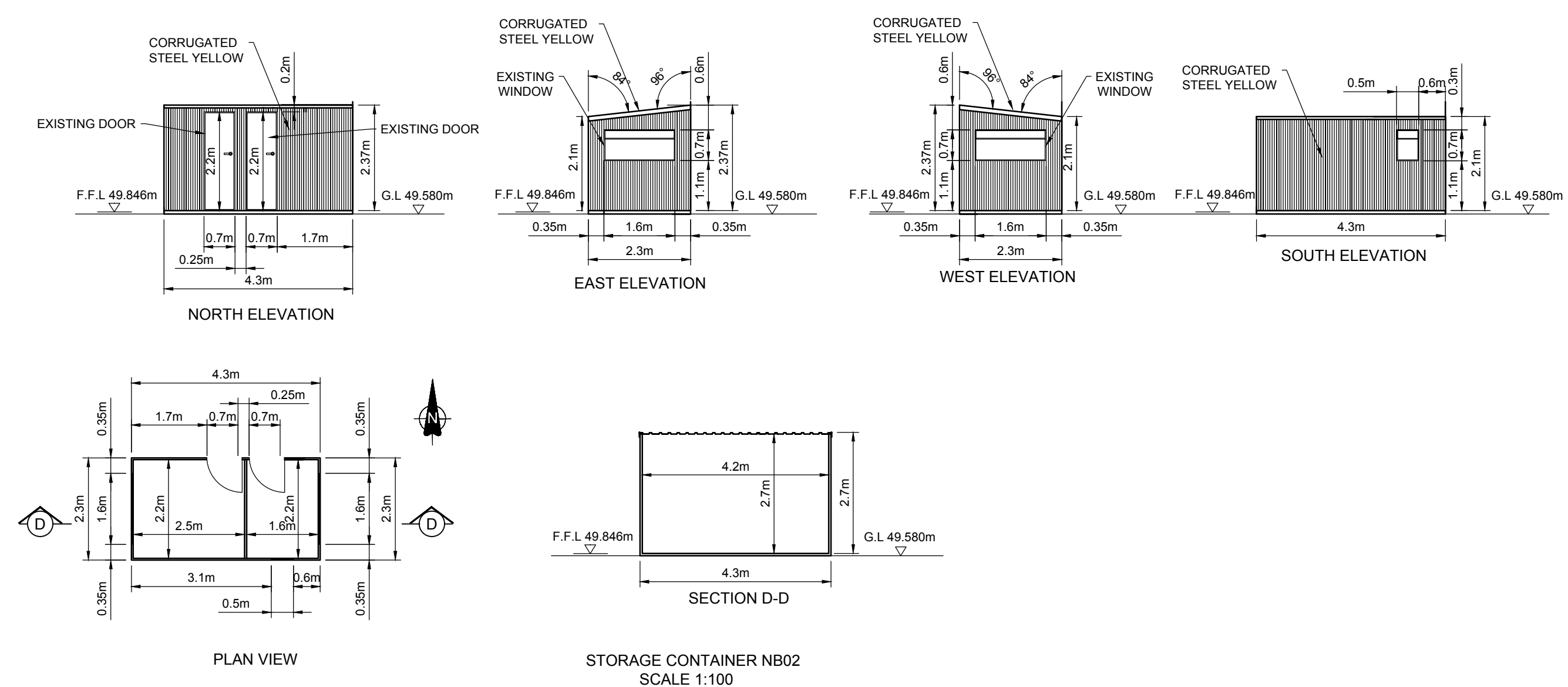
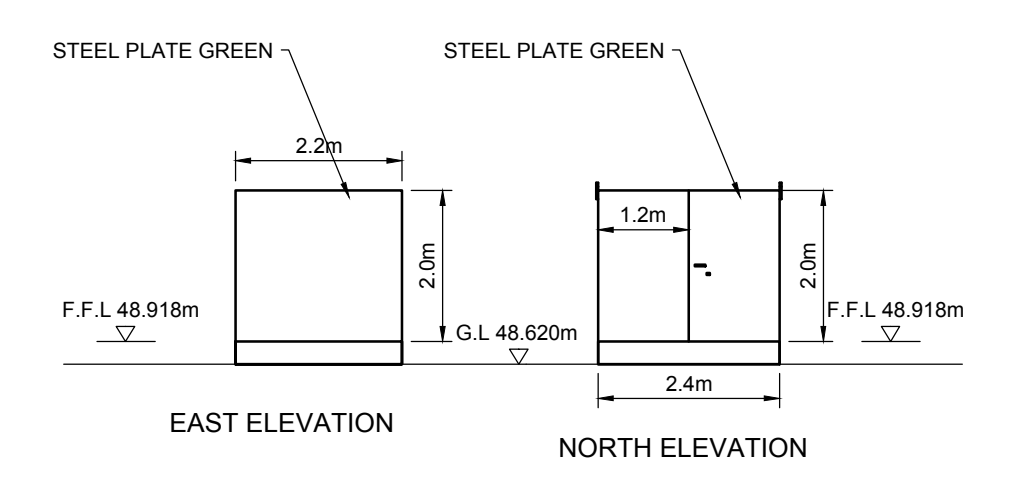
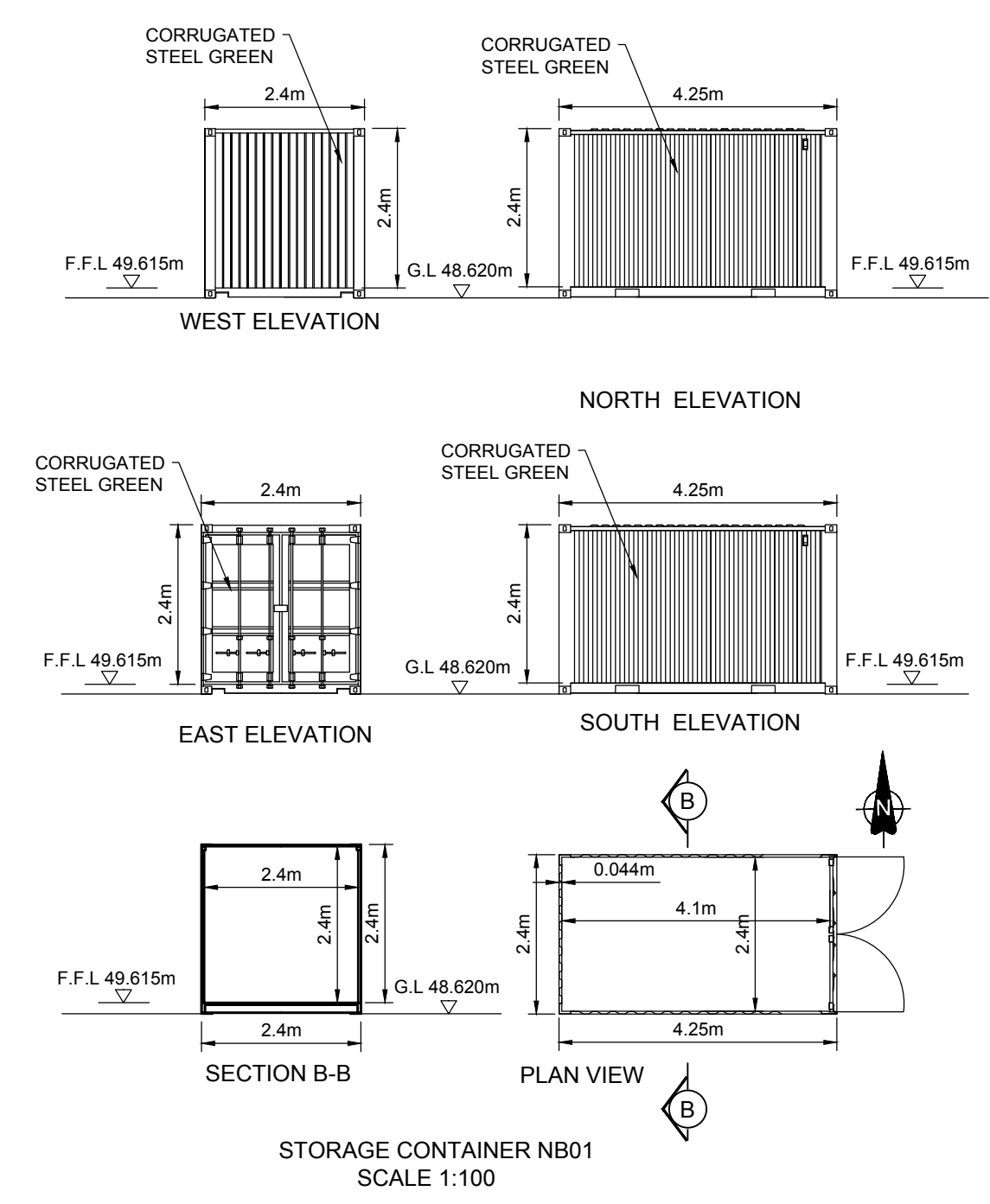
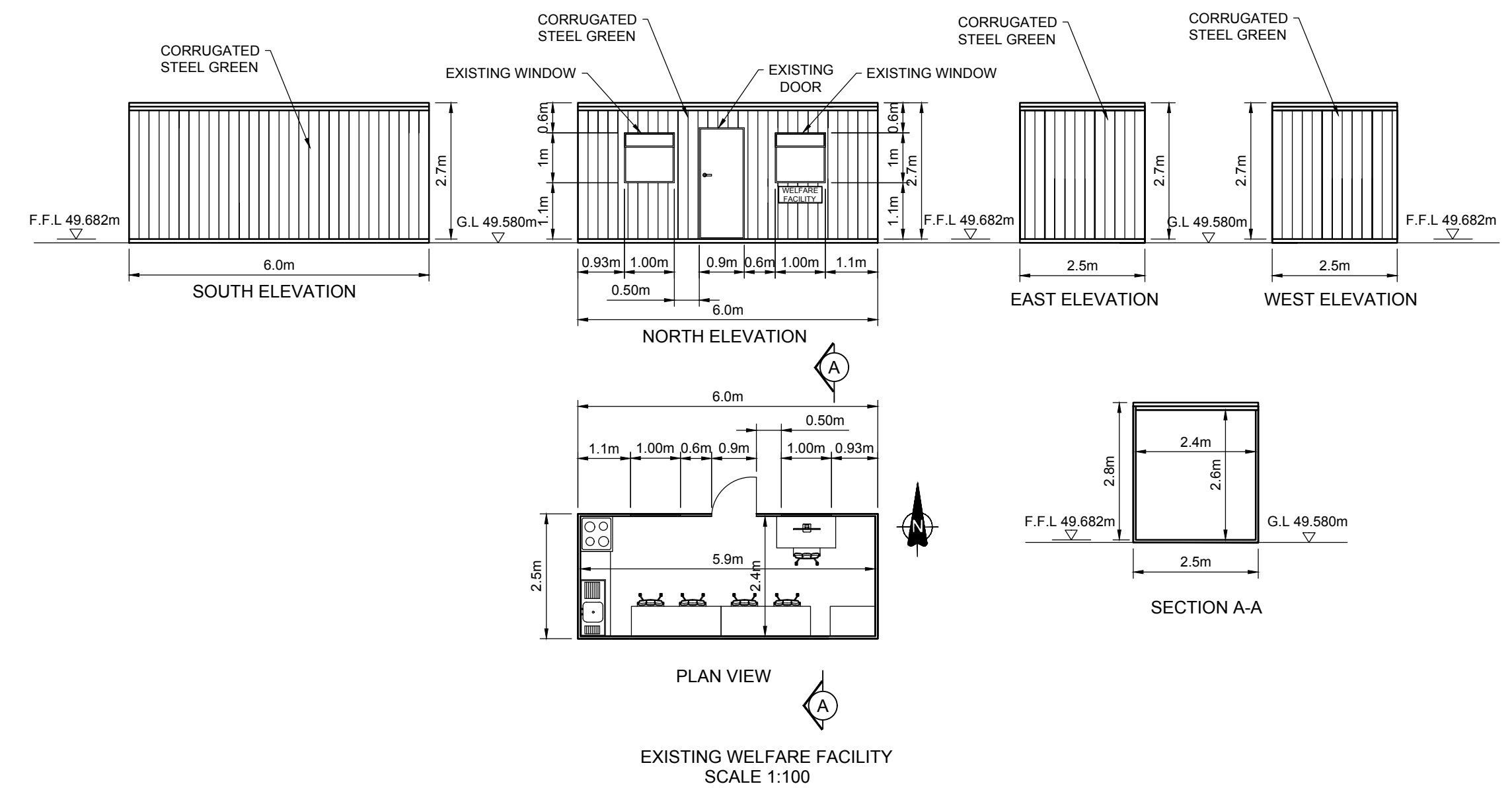


- NOTES:**
1. THIS DRAWING IS FOR PLANNING APPLICATION PURPOSES ONLY.
  2. DRAWING NOT TO BE SCALED. FIGURED DIMENSIONS ONLY TO BE USED.
  3. ALL LEVELS TO MALIN HEAD METRES ABOVE DATUM



REVISION	By	Date	Chk'd

Project: **SUBSTITUTE CONSENT APPLICATION**  
**NOGGUSBOY BOG, CO OFFALY**

Title: **BUILDINGS AND STRUCTURES**

Dimensions in METRES  
Scale: 1:100 @ A1

Drawn By: SD 08/03/2020  
Checked By: PN 09/03/2020  
Approved By: DK 21/04/2020

**BORD NA MÓNA**  
Naturally Driven  
Bord Na Móna Engineering Department  
LEABEG, TULLAMORE CO. OFFALY  
Tel: 057 9345900 Fax: 057 9345160

Drawing No. SC-0500-NB-DR005  
Revision. Sheet 1 of 1